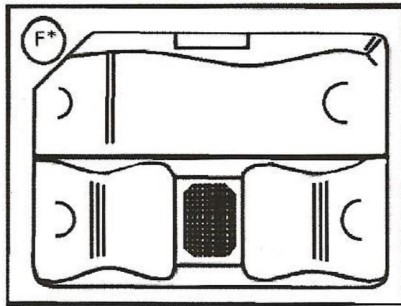


Spa Manufacturers, Inc.

Building Quality

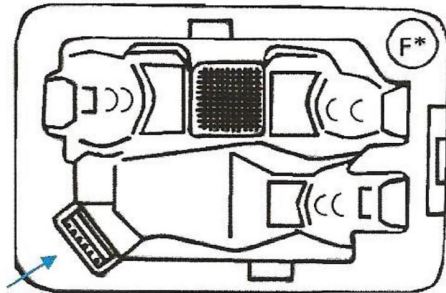
Portable and Inground Spas

Since 1981!



5X7

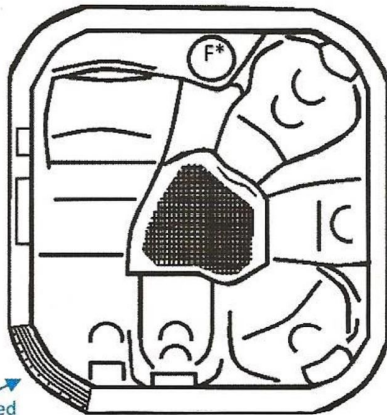
Shell dimensions- 5'W x 7'L x 29"H
 With cabinet- 5'W x 7'L x 30"H
 Empty wt.- 300 Lbs. Full wt.-1545 Lbs.
 Capacity, US gals.- 150 - 44.31 Lbs. per sq ft.



Patented Waterfall

Jamaica

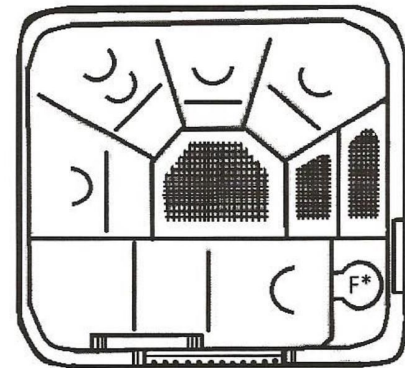
Shell dimensions- 4'6"W x 6'6"L x 29"H
 With cabinet- 4'9"W x 6'9"L x 29"H
 Empty wt.- 300 Lbs. Full wt.- 1296 Lbs.
 Capacity, US gals.- 120 - 38.33 Lbs per sq ft.



Patented Waterfall

Large Waterfall

Shell dimensions- 7'6"W x 7'6"L x 35"H
 With cabinet- 7'9"W x 7'9"L x 37"H
 Empty wt.- 550 Lbs Full wt.- 3663 Lbs
 Capacity, US gals.- 375 - 57.45 Lbs. per sq ft



Patented Waterfall

650

*optional waterfall

Shell dimensions- 6'4"W x 6'11"L x 29"H
 With cabinet - 6'7"W x 7'2"L x 30"H
 Empty wt.- 400 Lbs Full wt.- 2683 Lbs
 Capacity, US gals.- 275 - 55.62 Lbs. per sq ft.

F* Denotes Filter- All sizes, depth, and gallonage specifications are approximate and subject to change without notice

Spa Manufacturers, Inc.

6060 Ulmerton Road ~ Clearwater FL 33760

Toll Free 877-530-9493 ~ Fax 727-539-8151

www.Spamanufacturers.com

